

Model 72X



- Cast construction in Ductile Iron or Stainless Steel
- Conforming to the PED, CE-marked
- Sizes 1" to 6"

FEATURES

- Flanged or threaded DIN and ANSI end connections
- Ductile Iron models designed to 10 bar, 120°C
- Stainless steel models designed to 16 bar, 120°C
- Bolted Cover
- Machined basket seat with o-ring seal
- Large capacity 316 stainless steel baskets, perforated or mesh
- Bottom drain port
- Mounting feet for stable installation for flanged units 2" and larger

OPTIONS

- Basket perforations from $\frac{1}{32}$ " to $\frac{1}{2}$ "
- Basket mesh from 20 to 400
- NBR, EPDM, FPM or FEP encapsulated FPM O-rings
- Gauge/vent taps - $\frac{1}{4}$ " BSP
- Vent valves
- Pressure differential gauge and switch
- Magnetic basket inserts

Specifically designed for conformance in the European market, the model 72X Simplex cast manual strainer complements Eaton's range of manual pipeline strainers.

The model 72X is CE-marked to Pressure Equipment Directive (PED) and is compliant with the EN13445 and AD 2000 pressure vessel codes.

Also the model 72X pipeline strainers provide bypass-free filtration to protect process equipment in most demanding applications, including chemical, petrochemical and water pipelines that can be

temporarily shut down for strainer basket cleaning or changeout.

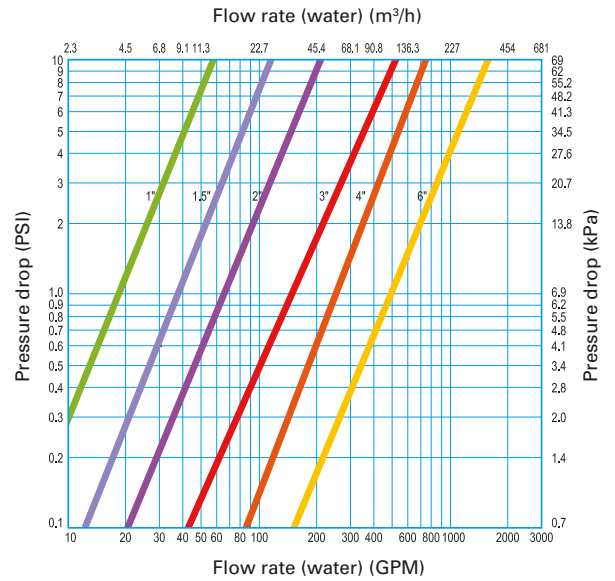
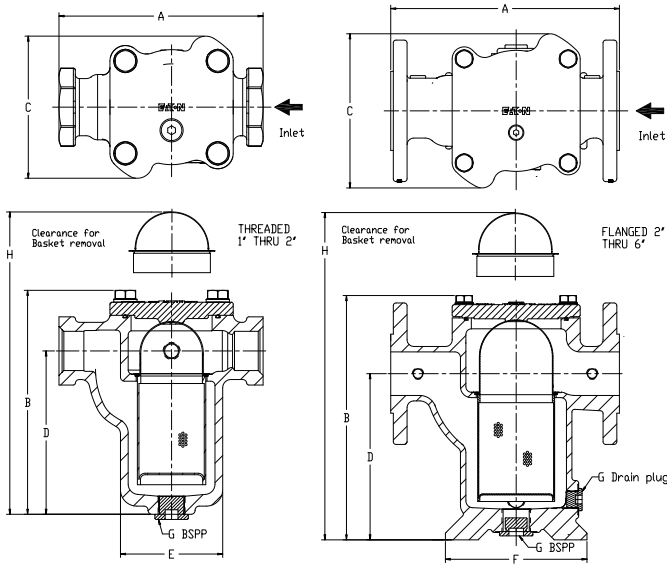
The new Simplex 72X strainer range features the same connection dimensions as Eaton's legacy 72 models, enabling simple upgrades and open up the use in new applications requiring CE-stamped strainers.

For ease of use, the new Simplex 72X models use the same strainer basket range in various retention ratings but features improved sealing with an additional O-ring underneath the basket.

EATON

Powering Business Worldwide

Model 72X Simplex Basket Strainer



Threaded Model 72X dimensions (in/mm)

Dimensions and weights are for reference only. Contact Eaton for certified drawings. Ductile Iron models only.

Size	A	B	C	D	E	F	G	H	Net Wt (kg)
1	6.26 / 159	7.09 / 180	4.33 / 110	5.16 / 131	3.15 / 80	–	½	12.01 / 305	5
1 ½	8.15 / 207	9.17 / 233	5.12 / 130	6.92 / 176	4.17 / 106	–	¾	16.00 / 406	8
2	10.47 / 266	11.18 / 284	7.09 / 180	7.64 / 194	5.12 / 130	6.50 / 165	1 ½	18.90 / 480	13

Mod. 72X Cv factors*

Size	Value
1"	18
1 ½"	37
2"	66
3"	154
4"	244
6"	484

* For water with clean, perforated basket

Flanged Model 72X dimensions (in/mm)

Dimensions and weights are for reference only. Contact Eaton for certified drawings. For Ductile Iron and Stainless Steel models.

Size	A	B	C	D	E	F	G	H	Net Wt (kg)
1 / DN 25	7.63 / 194	8.38 / 180	4.00 / 110	5.00 / 131	5.00 / 80	–	½	13.00 / 305	7
1 ½ / DN 40	10.25 / 260	11.00 / 233	4.88 / 130	7.00 / 176	5.00 / 106	–	¾	16.00 / 406	11
2 / DN 50	10.50 / 266	11.18 / 284	6.75 / 180	7.63 / 194	5.13 / 130	6.25 / 165	1 ½	20.00 / 480	16
3 / DN 80	13.15 / 334	16.14 / 410	8.43 / 214	12.24 / 311	6.50 / 165	8.70 / 221	1 ½	27.00 / 686	33
4 / DN 100	17.36 / 441	16.14 / 410	11.89 / 302	10.71 / 272	9.65 / 245	10.39 / 264	1 ½	26.73 / 679	59
6 / DN 150	19.76 / 502	24.65 / 626	11.89 / 302	18.31 / 465	9.96 / 253	11.38 / 289	1 ½	50.00 / 1,270	94

North America
44 Apple Street
Tinton Falls, NJ 07724
Toll Free: 800 656-3344
(North America only)
Tel: +1 732 212-4700

Greater China
No. 7, Lane 280,
Linhong Road
Changning District, 200335
Shanghai, P.R. China
Tel: +86 21 5200-0099

Europe/Africa/Middle East
Auf der Heide 2
53947 Nettersheim, Germany
Tel: +49 2486 809-0

Friedensstraße 41
68804 Altluisheim, Germany
Tel: +49 6205 2094-0

Asia-Pacific
100G Pasir Panjang Road
#07-08 Interlocal Centre
Singapore 118523
Tel: +65 6825-1668

An den Nahewiesen 24
55450 Langenlonsheim, Germany
Tel: +49 6704 204-0

For more information, please email us at filtration@eaton.com or visit www.eaton.com/filtration

© 2021 Eaton. All rights reserved. All trademarks and registered trademarks are the property of their respective owners. All information and recommendations appearing in this brochure concerning the use of products described herein are based on tests believed to be reliable. However, it is the user's responsibility to determine the suitability for his own use of such products. Since the actual use by others is beyond our control, no guarantee, expressed or implied, is made by Eaton as to the effects of such use or the results to be obtained. Eaton assumes no liability arising out of the use by others of such products. Nor is the information herein to be construed as absolutely complete, since additional information may be necessary or desirable when particular or exceptional conditions or circumstances exist or because of applicable laws or government regulations.