



Multi-filter cartridge housings in “lightweight construction” for commercial applications



The ECOCART multi-filter cartridge housings from Eaton are characterized by their “lightweight construction” and are suitable for commercial applications.

These multi-filter cartridge housings for 3, 5 or 12 filter cartridges are a particularly cost-effective solution for price-sensitive applications. ECOCART filter cartridge housings are made of stainless steel and are suitable for the use of filter cartridges in double open ended (DOE) or 222/fin design with a maximum outer diameter of 69 mm. The housings are closed with a V-clamp. Sealing is achieved by means of an EPDM O-ring.

Features

- ECOCART filter cartridge housings are supplied in an upright version
- For the installation of a gauge or a vent valve, the vessel cover is equipped with a ¼" BSP socket
- Socket for draining the sludge (¾" BSP) and filtrate chamber (¼" BSP)
- 2 pieces of 1/4" socket for optional differential pressure monitoring
- DOE filter cartridges are securely fastened in the housing with a hold-down plate via sealing caps with springs on centering rods. For adapter code 2, the centering rods are removed and the fins of the filter cartridges are fixed using the hold-down plate.
- Housing material stainless steel 1.4301 (304)
- Housing connections (inlet and outlet)
1 ½" BSP female
BSP thread (EKF-300),
2" BSP female
BSP thread (EKF-500),
flange DN80/PN16
DIN EN 1092-1 (EKF-1200)

- Filter cartridges in double open ended (DOE) design with a maximum outer diameter of 69 mm
- Maximum permissible operating pressure: 10 bar
- Maximum permissible operating temperature: 90°C

Option

- EPDM O-ring as standard for cover seal, optionally available in FKM

EPDM: Ethylene Propylene Diene Monomer Rubber
FKM: Fluoro Rubber



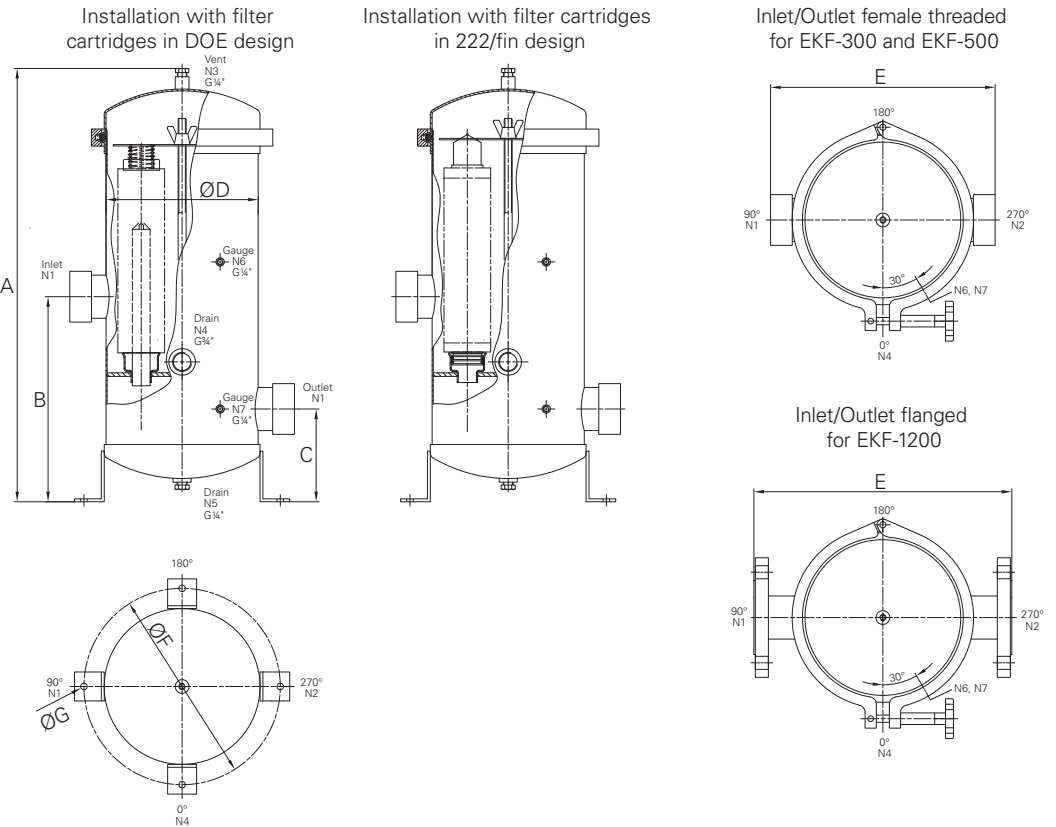
Powering Business Worldwide

ECOCART Multi-Filter Cartridge Housings

Applications

Coarse filtration > 500 µm	
Medium filtration > 10 µm	✓
Fine filtration < 10 µm	✓
Pre-filtration	✓
Safety filtration	
High volume	
Batch filtration	✓
Circuit filtration	✓
Continuous filtration	
Solvents, paints	
Fats and oils	
Acids, bases	
Petrochemicals	
Water, waste water	✓
Chemical industry	✓
Pharmaceuticals	
Metal cleaning	✓
Automotive industry	✓
Electronics	
Food and beverage	
Paint and lacquer	✓
Water treatment	✓
Galvanic industry	✓

Types



Technical Data

Types	EKF-300				EKF-500				EKF-1200		
	310	320	330	340	510	520	530	540	1220	1230	1240
Number of filter cartridges	3				5				12		
Length of filter cartridges	10"	20"	30"	40"	10"	20"	30"	40"	20"	30"	40"
A	584	838	1,092	1,346	598	852	1,106	1,370	625	794	912
B	283				283				370		
C	128				128				200		
D	165				356				312		
E	264				310				460		
F	225				271				374		
G	9				9				12		
Connection	1 1/2" female BSP thread				2" female BSP thread				Flange DN80/PN16 DIN EN 1092-1		
Volume (l)	10.5	15.5	20.5	26	18	26.5	35	43.5	64.5	83.5	102.5
Weight (kg)	9.9	12.4	15	17.5	15	17.8	20.6	24.1	22	24.5	27
Adapter	DOE or 222/fin										

North America
 44 Apple Street
 Tinton Falls, NJ 07724
 Toll Free: 800 656-3344
 (North America only)
 Tel: +1 732 212-4700

Greater China
 No. 7, Lane 280,
 Linhong Road
 Changning District, 200335
 Shanghai, P.R. China
 Tel: +86 21 2899-3687

Europe/Africa/Middle East
 Auf der Heide 2
 53947 Nettersheim, Germany
 Tel: +49 2486 809-0
 Friedensstraße 41
 68804 Altlußheim, Germany
 Tel: +49 6205 2094-0

Asia-Pacific
 100G Pasir Panjang Road
 #07-08 Interlocal Centre
 Singapore 118523
 Tel: +65 6825-1620

An den Nahewiesen 24
 55450 Langenlonsheim, Germany
 Tel: +49 6704 204-0

For more information, please
 email us at filtration@eaton.com
 or visit www.eaton.com/filtration

© 2023 Eaton. All rights reserved. All trademarks and registered trademarks are the property of their respective owners. All information and recommendations appearing in this brochure concerning the use of products described herein are based on tests believed to be reliable. However, it is the user's responsibility to determine the suitability for his own use of such products. Since the actual use by others is beyond our control, no guarantee, expressed or implied, is made by Eaton as to the effects of such use or the results to be obtained. Eaton assumes no liability arising out of the use by others of such products. Nor is the information herein to be construed as absolutely complete, since additional information may be necessary or desirable when particular or exceptional conditions or circumstances exist or because of applicable laws or government regulations.

EN
 EF-FCH-02
 10-2023